

MAXSTREAM 300 REMOTE PLASMA SOURCE

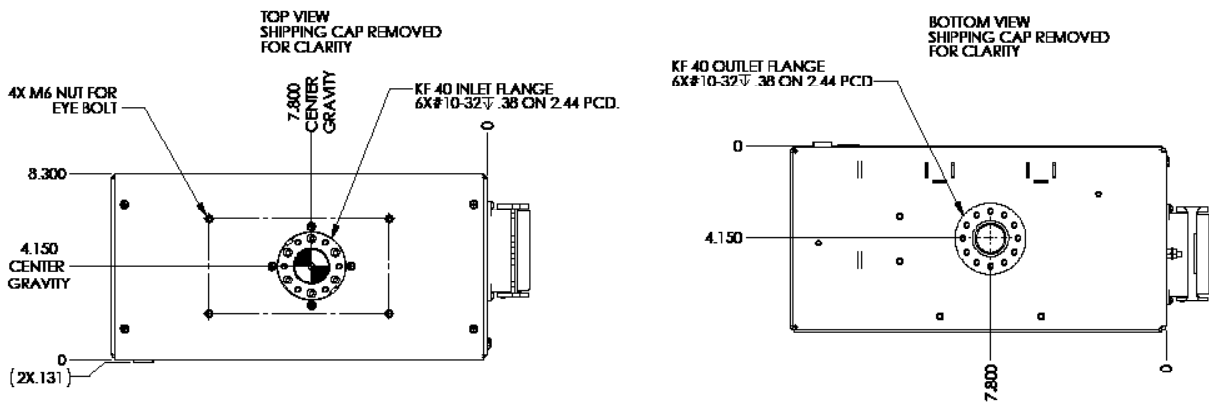
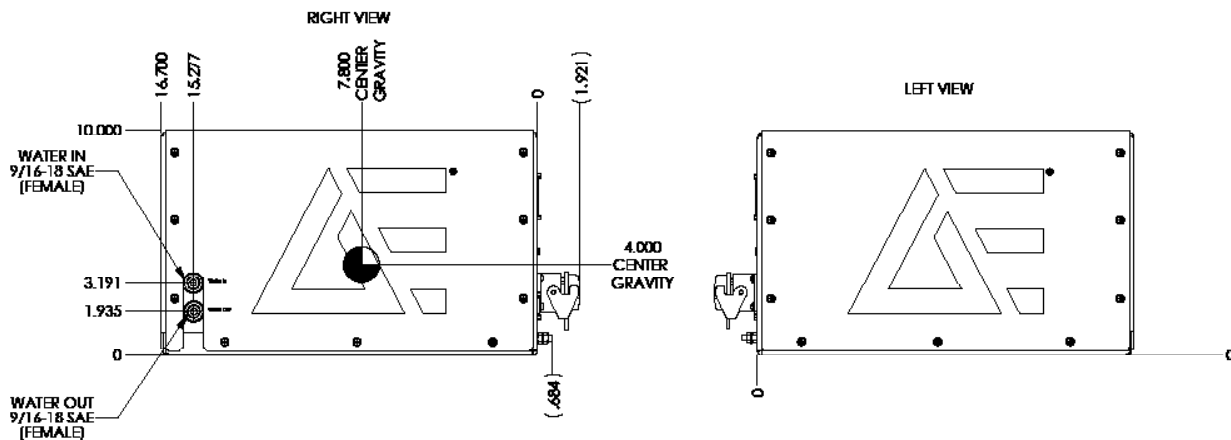
PROCESS AND ELECTRICAL SPECIFICATIONS

| General Operating Parameters | |
|--|---|
| Plasma Power Range | 1000 to 6000 W, continuous |
| Process Applications | Remote delivery of activated gases for downstream processing (i.e. chamber cleaning, reactive etching processes, and reactive deposition processes) |
| Ignition | 100 mTorr to 4 Torr up to 2 SLPM of Ar, < 1% poisoned by NF ₃ |
| Power Accuracy | 5% or 50 W, whichever is greater |
| Chemical Compatibility | This unit is intended for use with selected gases such as Ar, O ₂ , N ₂ , F ₂ , NF ₃ , Cl or CxFy. |
| NF ₃ Operating Specifications | |
| Flow Range | Up to 3 SLPM at 10 Torr |
| Dissociation Efficiency | > 98% disassociation up to 3 SLPM at 10 Torr |
| Operating Specifications | |
| Duty Cycle | Continuous operation within specified operating range |
| Cooling Flow Rate | 1.5 GPM at +5°C to +30°C non-condensing input water temperature |
| Ambient Air | +5°C to +40°C, non-condensing humidity < 75% |
| AC Electrical Requirements | |
| Input Voltage | 187 to 229 VAC, no neutral, 3 phase with PE ground (phase insensitive) |
| Line Frequency | 47 to 63 Hz |
| Input Current | < 24 A AC |

MECHANICAL SPECIFICATIONS

| Mechanical and Physical Specifications | |
|--|--|
| Dimensions | 25.4 cm (H) x 21 cm (W) x 42.4 cm (D) |
| | 10" (H) x 8.3" (W) x 16.7" (D) |
| Weight | 21 kg (45 lb) |
| Vacuum | Input: KF40 flange on top side of the unit |
| | Output: KF40 interface on bottom of unit |
| Ground Connection | Chassis ground stud 1/4"-20 x 3/4" near AC input connector |
| USB Connection | USB Type A female |
| Ethercat Connection | RJ45 female |
| Water Connections | Stainless steel Female SAE 9/16" - 18 straight-thread |

MECHANICAL DRAWINGS



Dimensions in inches



For international contact information,
visit advancedenergy.com.

sales.support@aei.com
+1.970.221.0108

ABOUT ADVANCED ENERGY

Advanced Energy (AE) has devoted more than three decades to perfecting power for its global customers. AE designs and manufactures highly engineered, precision power conversion, measurement and control solutions for mission-critical applications and processes.

AE's power solutions enable customer innovation in complex semiconductor and industrial thin film plasma manufacturing processes, demanding high and low voltage applications, and temperature-critical thermal processes.

With deep applications know-how and responsive service and support across the globe, AE builds collaborative partnerships to meet rapid technological developments, propel growth for its customers and power the future of technology.

PRECISION | POWER | PERFORMANCE

Specifications are subject to change without notice. Not responsible for errors or omissions. ©2021 Advanced Energy Industries, Inc. All rights reserved. Advanced Energy®, and AE® are U.S. trademarks of Advanced Energy Industries, Inc.